



# Check Tool MV



## Check Tool for Medium Voltage Applications

### 0.1 percent accuracy class spot measurement tool of voltage, current and power factor on the distribution grid

The LineWatch Check Tool is an integral part of the LineWatch M sensor installation. The fully automated system is designed to quickly and easily calibrate the sensors in the field with highly accurate voltage and phase angle measurements. The Check Tool can also be used as a precision stand-alone, quick reference tool for spot measuring phase-to-neutral voltage, phase current, and power flow on a live line.

### A Patent Pending capacitive voltage divider delivers unprecedented accuracy.

- ⚡ Measuring feeder primary voltage, current and power
- ⚡ Troubleshooting distribution circuits
- ⚡ Site survey for Capacitor Bank placement
- ⚡ Automated Setup Tool software makes LineWatch M sensor install quick and easy
- ⚡ Can be used in conjunction with any Windows based PC/laptop/tablet

### FEATURES/BENEFITS

- Quick and easy sensor calibration in situ
- Measurement of live line conditions
- Most accurate hot stick power meter on the market
- No need for multiple tools— combined current and voltage in same device
- Real and reactive power flow



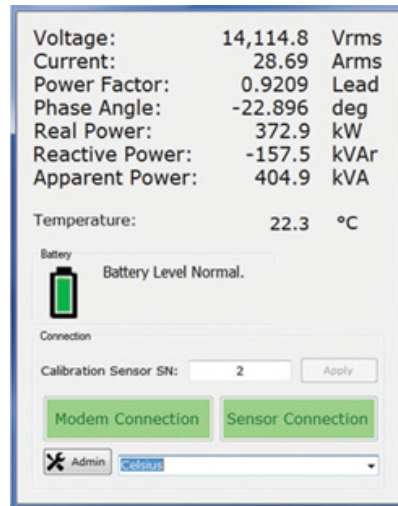
# Technical Specifications

## Sensing System Capabilities

<b>Electrical Frequency</b>	50 and 60 Hz	<b>Update Rate</b>	5 seconds
<b>Measurement Voltage</b>	Rated: 7.2, 14.4, and 19.9 kV Phase to Neutral Maximum: 36kV	<b>Rated Current</b>	400 Arms
<b>Voltage Withstand</b>	IEC 60044-7:1999 35kV class: 70kV Power Frequency withstand, 170kV BIL	<b>Maximum Current</b>	600 Arms
<b>Voltage Accuracy</b>	± 0.1%	<b>Current Accuracy</b>	± 0.5%
<b>Phase Angle Accuracy</b>	± 5 Arc Minutes	<b>Radio Frequency</b>	2.4GHz ISM Band
<b>Power Accuracy</b>	± 0.6%	<b>Communication Range</b>	50 ft

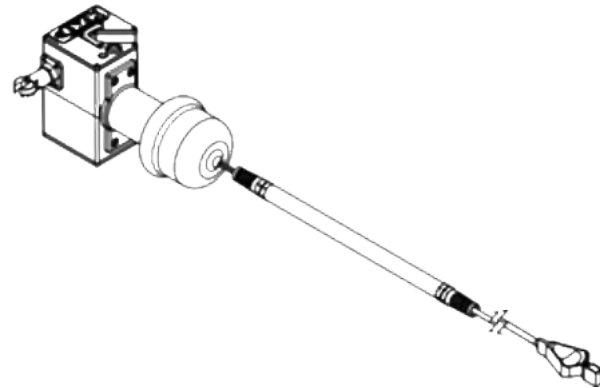
## Physical and Environmental

<b>Weight</b>	5.6 lbs.	<b>Conductor Sizes</b>	#2 AWG to 447 kcmil
<b>Operating Temperature</b>	-20°C to 30°C	<b>Storage Temperature</b>	-40°C to 85°C
<b>Humidity</b>	0 - 95% RH	<b>Ingress Protection</b>	IP 65



LineWatch Check Tool

screen shot



2525, Louis A. Amos  
 Montreal, QC, Canada H8T 1C3  
 (866) 267-0045  
 info@CO7Tech.com  
 www.CO7Tech.com CO7