



VRupt7

Where Safety meets Reliability

Over the past 30 years, the VRupt7 fused cutout has been deployed under the most demanding conditions. With its safe and rugged design features that resists damage from wide temperature variations and freeze/thaw cycles, the VRupt7 delivers outstanding performance in all extreme conditions.

PROVEN RELIABILITY

The design features show the highest reliability levels endorsed by extensive field use records. The VRupt7 parts are made of Silver tin plated copper alloy chosen with particular attention to galvanic corrosion.

Fuse holder

- Made with fiber-glass filament wound tubing resistant to UV rays and harsh weather. It is interchangeable with the VRupt7 and Securupt Body.
- Equipped with expendable cap

Cable Terminals

- Sized for cables with diameter up to 4/0 gauge

Positive lever operated latch

- Prevents accidental opening

Insulator

- Especially made for the application with very strict specifications to ensure reliability and durability in a wide range of temperature and within harsh environment
- Each insulator is identified for easy traceability

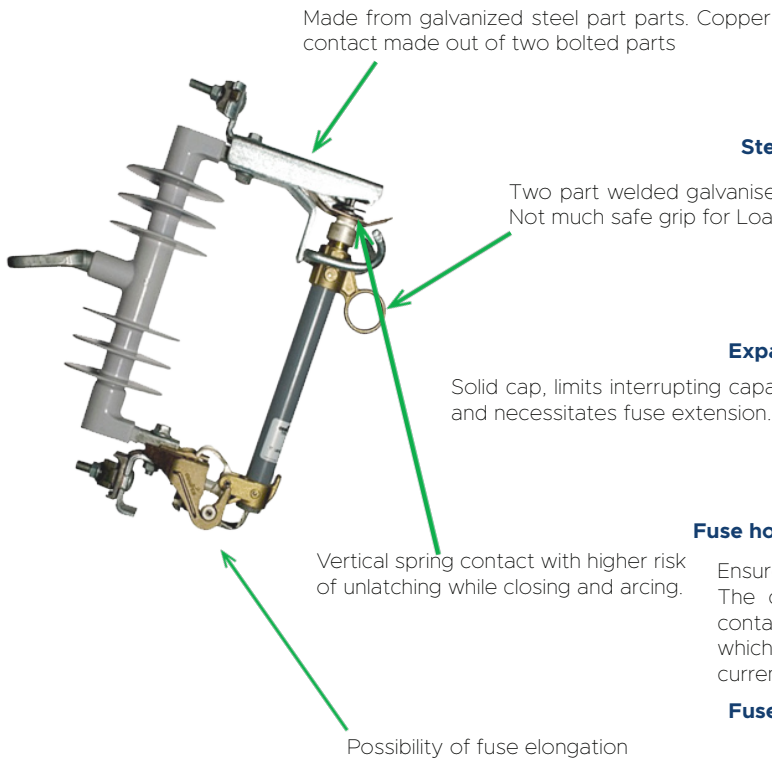
Reverse current loop contacts

At both line and hinge ends to increase contact pressure during high surges preventing pitting and burning.

High quality cast bronze construction

Silver-plated, spring-loaded copper contacts

Standard vs VRupt7



Upper support

Enhanced – allowing cable connection vertically or horizontally

One-part galvanised steel support. Silver plated copper alloy contact with increased thermal capacity and contact area.

Steel hooks

Stainless Steel ensures safe and easy handling of the LoadBuster

Expansion cap

Ensures the evacuation of some pressure through the cap Provide max interrupting capacity about 30% higher Safer for linemen when closing under fault

Fuse holder contact

Ensures complete closure while minimizing electric arc. The connection between silver-plated copper alloy contact and terminal forms a reverse current loop, which further increases contact pressure during high current faults and prevents pitting and burning

Fuse terminal

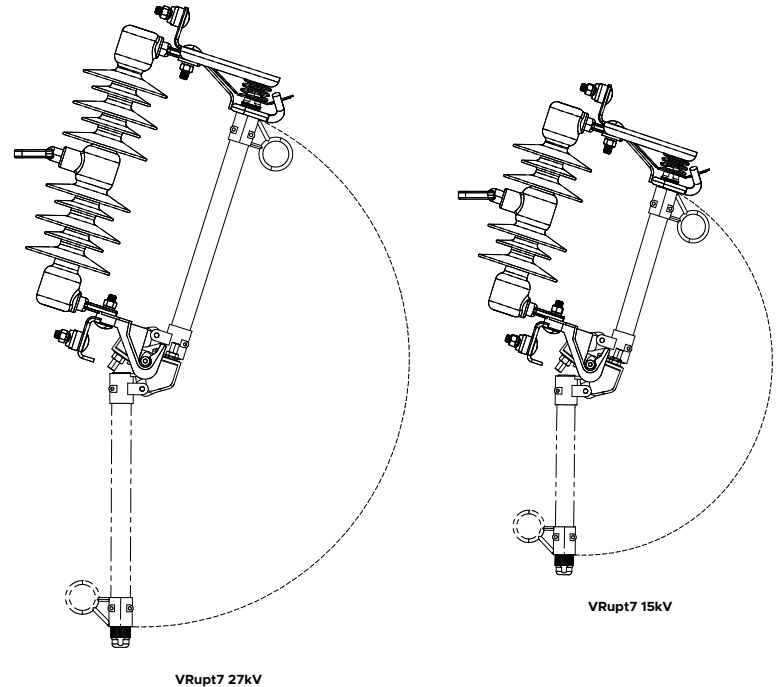
Ensures fuse integrity Easy fuse installation by linemen

Connection terminals

Linkbreak

Patented mechanism for ensuring fuse breaking

Continuous Current(A)	100	
Voltage Rating		
kV, Max	15	27
kV, BIL	110	125
Creepage distance		
Inches (mm)	15.75 (400)	21.85 (555)
Insulator	Polymer	
Short-Circuit Interrupting Rating (A RMS)		
Asymmetrical	10,000	12,000
Symmetrical	7,100	8,000
Environmental		
Ambient Temperature	-50°C (-58°F) to +40°C (104°F)	
Altitude	1000m (3280ft)	
Wind Speed	35 m/s	
Peak wind speed	40 m/s	
Humidity	Yes	
Pollution	Yes	
Saline environment	Yes	
Industrial environment	Yes	
Sandstorm	Yes	
Seismic shock	Moderate	




CO7 TECHNOLOGIES
 2525, Louis A. Amos
 Montreal, QC, Canada H8T 1C3
 (866) 267-0045
 info@CO7Tech.com
 www.CO7Tech.com CO7