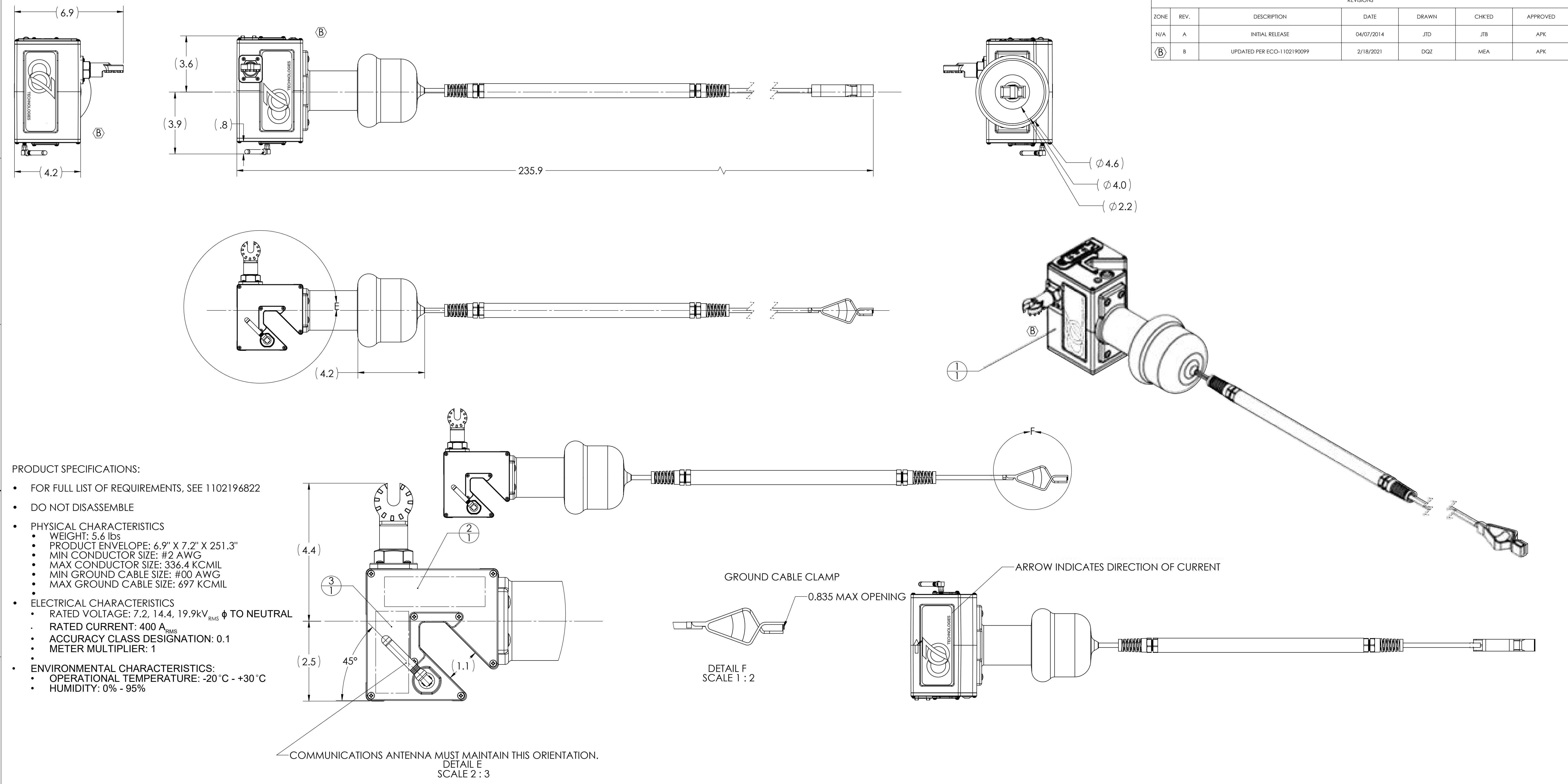


REVISIONS						
ZONE	REV.	DESCRIPTION	DATE	DRAWN	CHK'ED	APPROVED
N/A	A	INITIAL RELEASE	04/07/2014	JTD	JTB	APK
(B)	B	UPDATED PER ECO-1102190099	2/18/2021	DQZ	MEA	APK



**PRODUCT SPECIFICATIONS:**

- FOR FULL LIST OF REQUIREMENTS, SEE 1102196822
- DO NOT DISASSEMBLE
- PHYSICAL CHARACTERISTICS
  - WEIGHT: 5.6 lbs
  - PRODUCT ENVELOPE: 6.9" X 7.2" X 251.3"
  - MIN CONDUCTOR SIZE: #2 AWG
  - MAX CONDUCTOR SIZE: 336.4 KCMIL
  - MIN GROUND CABLE SIZE: #00 AWG
  - MAX GROUND CABLE SIZE: 697 KCMIL
- ELECTRICAL CHARACTERISTICS
  - RATED VOLTAGE: 7.2, 14.4, 19.9kV<sub>RMS</sub> φ TO NEUTRAL
  - RATED CURRENT: 400 A<sub>RMS</sub>
  - ACCURACY CLASS DESIGNATION: 0.1
  - METER MULTIPLIER: 1
- ENVIRONMENTAL CHARACTERISTICS:
  - OPERATIONAL TEMPERATURE: -20 °C - +30 °C
  - HUMIDITY: 0% - 95%

INFORMATION FOR PRODUCT LABELS 1102192325 AND 1102192332					
<PART NUMBER>	<PRODUCT NAME>	<BARCODE 1>	<BARCODE 2>	<SPEC LINE 1>	<SPEC LINE 2>
PRD-1102196000	PRODUCT, ASSY, SETUP TOOL	XXXXX (INCREMENTED SERIAL NUMBER)	SEE <BARCODE 1>	RATED FOR 19.9kV <sub>RMS</sub> 400A	ACCURACY CLASS: 0.1 MULT:1

THIRD ANGLE PROJECTION 	INTERPRET DRAWINGS IN ACCORDANCE WITH ASME Y14.5M-1994 UNLESS OTHERWISE SPECIFIED BREAK CORNERS .005-.015 REMOVE BURRS AND BREAK SHARP EDGES	<b>QINETIQ NORTH AMERICA INC. PROPRIETARY</b> 		
	UNLESS OTHERWISE SPECIFIED DIMENSIONS ARE IN INCHES. TOLERANCES ARE: DECIMALS: .XX ± 0.10 FRACTIONS: XX/XX ± 1/64 DO NOT SCALE DRAWING SURFACE FINISH: 63/RMS	MATERIAL: N/A HEAT TREATMENT: N/A FINISH: N/A	DRAWN: JTD 04/07/2014 CHECKED: JTB 04/07/2014 APPROVED: APK 04/07/2014	<b>PRODUCT, ASSY, SETUP TOOL</b>
	<b>APPLICATION</b> NEXT ASSY: N/A FINAL ASSY: N/A MACHINE: SETUP TOOL PROJECT NO: IRD-110219		SIZE: D CAGE: 5B2G7 SCALE: 1:3 WEIGHT: N/A	REV: B SHEET: 1 OF 1
	UNLESS OTHERWISE SPECIFIED DIMENSIONS APPLY AFTER FINISH		QINETIQ TECHNOLOGIES Technology Solutions Group	

# CO7 TECHNOLOGIES

CO7 Proprietary

## BILL OF MATERIAL

**PROJECT NO:** IRD-110219  
**ASSEMBLY NO:** PRD-1102196000  
**TITLE:** PRODUCT, ASSY, SETUP TOOL  
**ENGINEER:** JTD  
**DATE:** 04/07/14

REVISION B

ITEM	DESCRIPTION	MANUF.	PART NO	QTY	SUPPLIER	STOCK NUMBER	COMMENTS
1	ASSY, SETUP TOOL, PLASTIC	CO7	1102191127	1			
2	LABEL, IDENTIFICATION, PRODUCT, FM	CO7	1102192332	1			
3	LABEL, IDENTIFICATION, SERIAL NUMBER, FM	CO7	1102192325	1			
4	Powerline Sensor Hotstick Sensor Firmware	CO7	1102198027	1			
5	WIRING DIAGRAM, SETUP TOOL, HOT STICK	CO7	1102199068	REF			
6	SRD, System Requirements Document for the Manual Setup Tool	CO7	1102196822	REF			
7	CONOPS for Sensor Calibration Tool	CO7	1102196390	REF			
8	PRODUCT, AST RF DONGLE	CO7	PRD-110219003	1			ADDED AT REV B
9							
10							
11							
12							
13							
14							
15							
16							
17							
18							
19							
20							
21							
22							
23							
24							
25							
26							
27							
28							
29							
30							