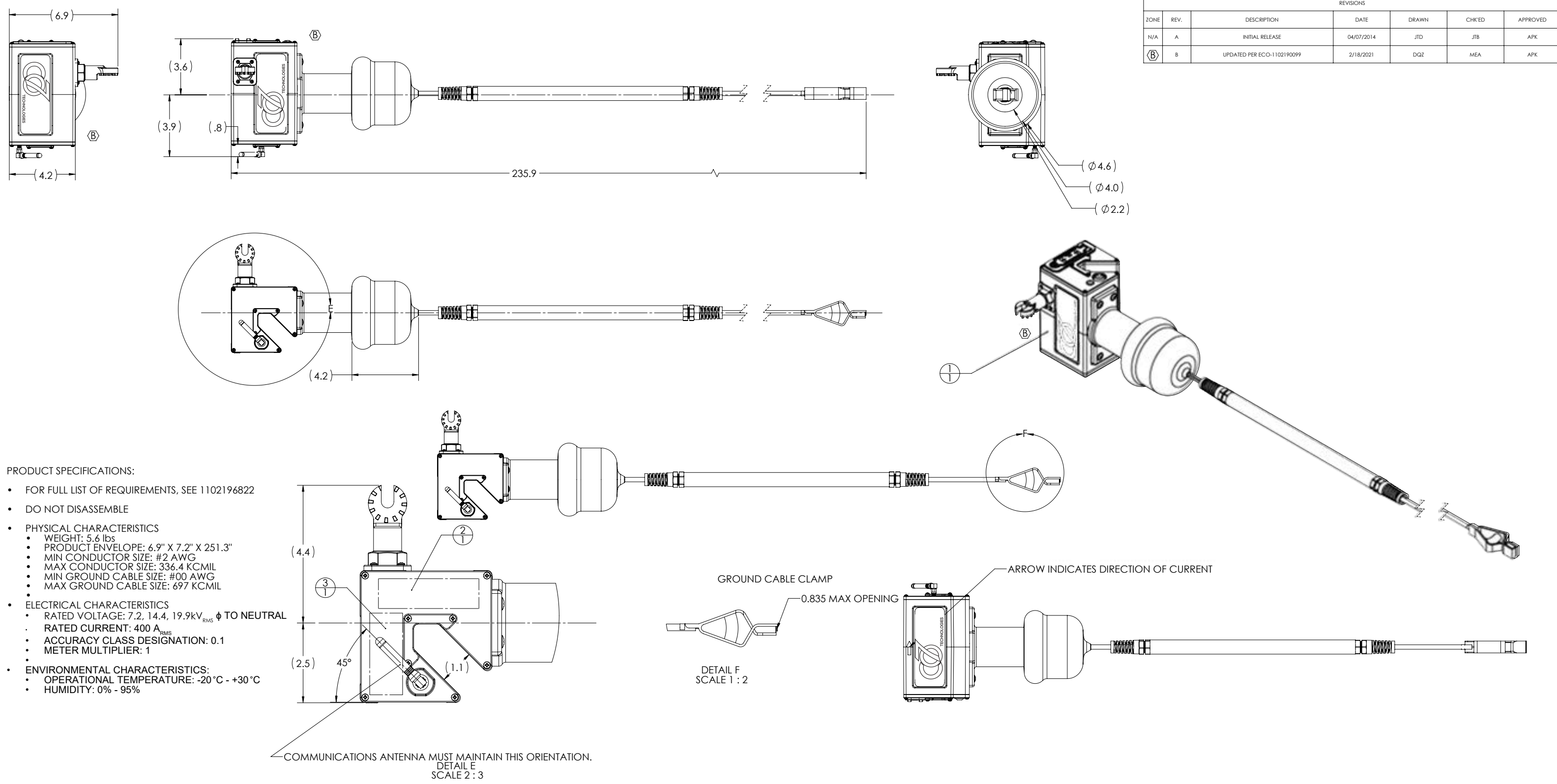


REVISIONS						
ZONE	REV.	DESCRIPTION	DATE	DRAWN	CHK'ED	APPROVED
N/A	A	INITIAL RELEASE	04/07/2014	JTD	JTB	APK
(B)	B	UPDATED PER ECO-1102190099	2/18/2021	DQZ	MEA	APK



PRODUCT SPECIFICATIONS:

- FOR FULL LIST OF REQUIREMENTS, SEE 1102196822
- DO NOT DISASSEMBLE
- PHYSICAL CHARACTERISTICS
 - WEIGHT: 5.6 lbs
 - PRODUCT ENVELOPE: 6.9" X 7.2" X 251.3"
 - MIN CONDUCTOR SIZE: #2 AWG
 - MAX CONDUCTOR SIZE: 336.4 KCMIL
 - MIN GROUND CABLE SIZE: #00 AWG
 - MAX GROUND CABLE SIZE: 697 KCMIL
- ELECTRICAL CHARACTERISTICS
 - RATED VOLTAGE: 7.2, 14.4, 19.9kV_{RMS} ϕ TO NEUTRAL
 - RATED CURRENT: 400 A_{RMS}
 - ACCURACY CLASS DESIGNATION: 0.1
 - METER MULTIPLIER: 1
- ENVIRONMENTAL CHARACTERISTICS:
 - OPERATIONAL TEMPERATURE: -20°C - +30°C
 - HUMIDITY: 0% - 95%

INFORMATION FOR PRODUCT LABELS 1102192325 AND 1102192332					
<PART NUMBER>	<PRODUCT NAME>	<BARCODE 1>	<BARCODE 2>	<SPEC LINE 1>	<SPEC LINE 2>
PRD-1102196000	PRODUCT, ASSY, SETUP TOOL	XXXXX (INCREMENTED SERIAL NUMBER)	SEE <BARCODE 1>	RATED FOR 19.9kV _{RMS} 400A	ACCURACY CLASS: 0.1 MULT:1

THIRD ANGLE PROJECTION UNLESS OTHERWISE SPECIFIED DIMENSIONS ARE IN INCHES. TOLERANCES ARE: DECIMALS: X ± .030 XX ± .010 XXX ± .005 DO NOT SCALE DRAWING SURFACE FINISH: 63/RMS	INTERPRET DRAWINGS IN ACCORDANCE WITH ASME Y14.5M-1994 UNLESS OTHERWISE SPECIFIED BREAK CORNERS .005-.015 REMOVE BURRS AND BREAK SHARP EDGES UNLESS OTHERWISE SPECIFIED DIMENSIONS APPLY AFTER FINISH MATERIAL: N/A HEAT TREATMENT: N/A FINISH: N/A	QINETIQ NORTH AMERICA INC. PROPRIETARY 			
		DRAWN: JTD 04/07/2014 CHECKED: JTB 04/07/2014 APPROVED: APK 04/07/2014	APPLICATION NEXT ASSY: N/A FINAL ASSY: N/A		
		MACHINE: SETUP TOOL PROJECT NO: IRD-110219	SIZE: D CAGE: 5B2G7 SCALE: 1:3	PRD-1102196000 WEIGHT: N/A	REV: B SHEET: 1 OF 1
		PRODUCT, ASSY, SETUP TOOL			