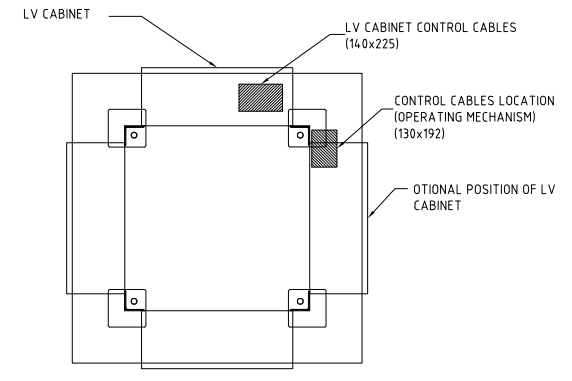
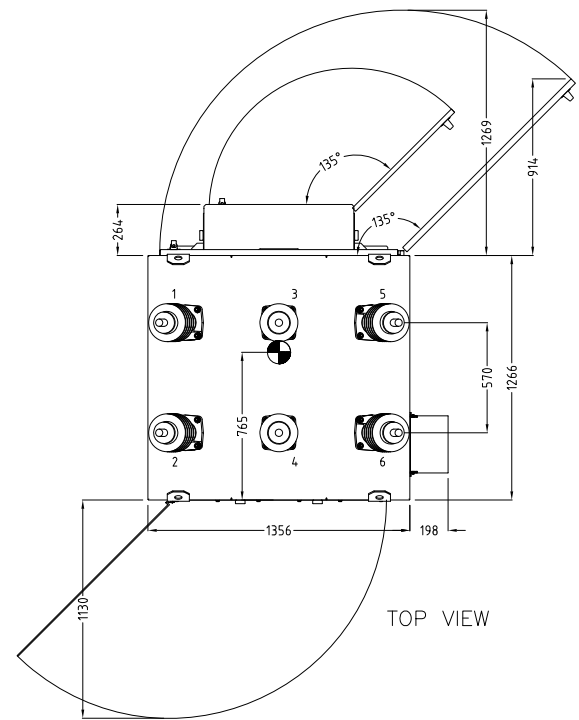
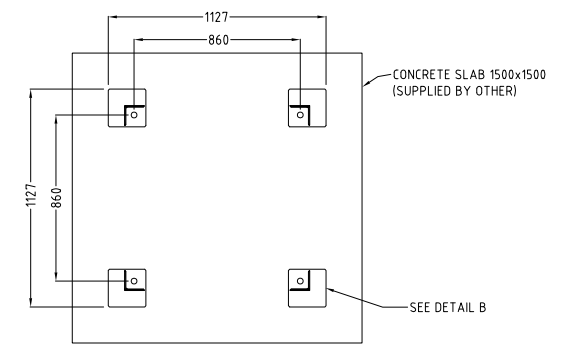


REV	DESCRIPTION	BY	DATE								



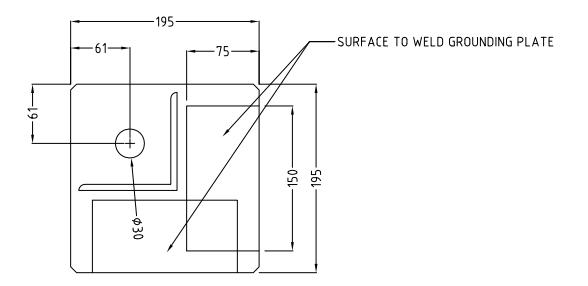
BASE PLAN WITH OPENING



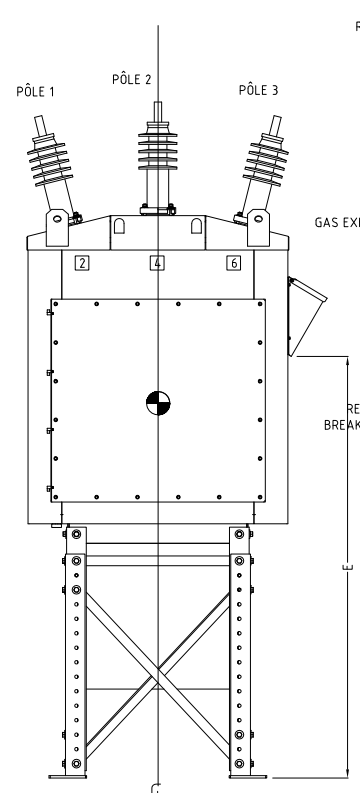
BASE PLAN

- NOTE:
- 1 WIRES AND CONDUCT BETWEEN OPERATING MECHANISM AND CONTROL CABINET ARE SUPPLIED BY SCHNEIDER AND INSTALLED BY CLIENT.
 - 2 DIFFERENT POSITIONS ARE SHOWN IN TABLE.
 - 3 COLOR: GRAY ASA 61 (POLYESTER PS311A178 OF PROTECH).
 - 4 WEIGHT: 1350 KG

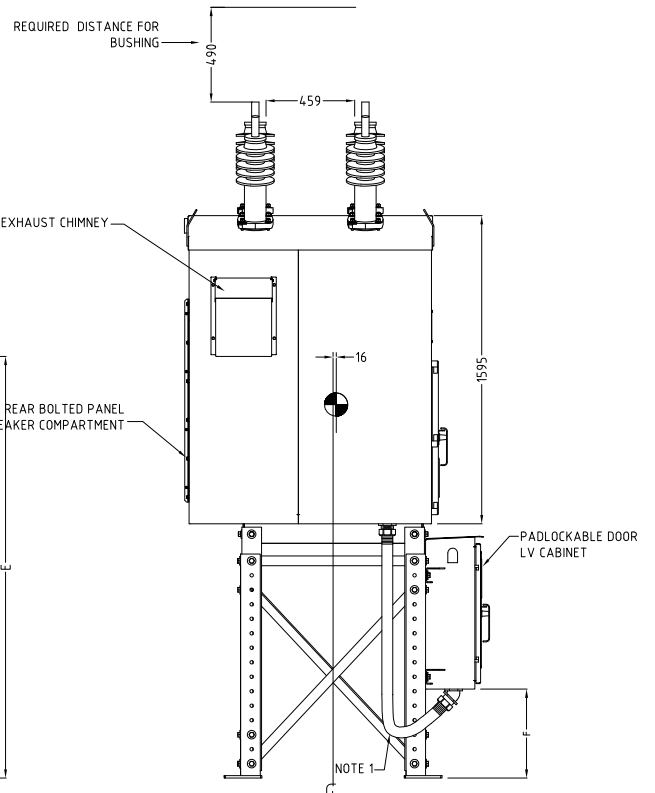
AJUSTABLE SUPPORT						
POS	A	B	C	D	E	F
1	3500	2879	1933	1316	2182	460
2	3575	2954	2008	1391	2257	535
3	3650	3029	2083	1466	2332	610
4	3725	3104	2158	1541	2407	685
5	3800	3179	2233	1616	2482	760
6	3875	3254	2308	1691	2557	760
7	3950	3329	2383	1766	2632	760
8	4025	3404	2458	1841	2707	760
9	4100	3479	2533	1916	2782	760



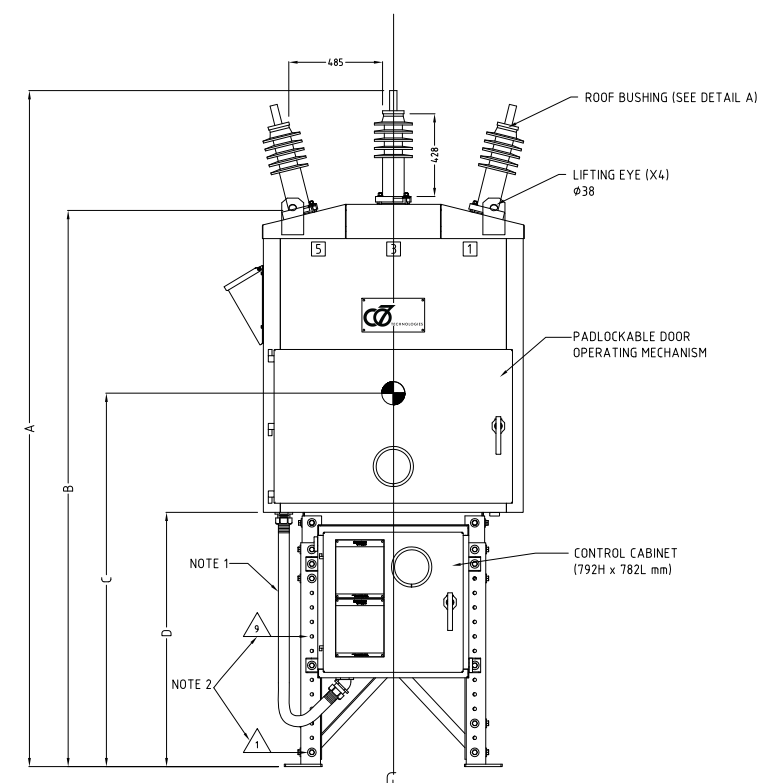
DETAIL B
BASE PLATE
SCALE: 1=5



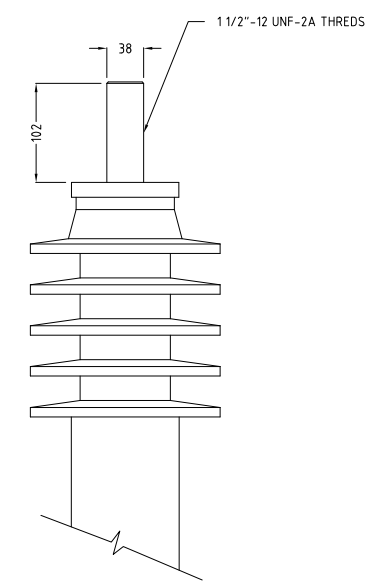
REAR VIEW



SIDE VIEW



FRONT VIEW

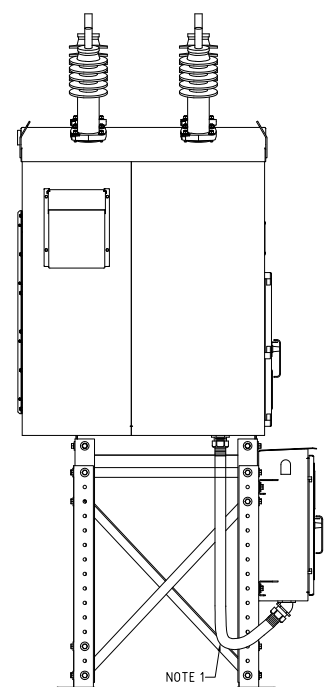


DETAIL A
BUSHING
SCALE : 1=5

JOB NAME:	EQUIPMENT DESIGNATION:	OUTDOOR VACUUM CIRCUIT BREAKER
JOB LOCATION:	EQUIPMENT TYPE:	HVX-02 25KV, 1200A
DESIGNED BY:	DRAWING TYPE:	
APPROVED BY:		
DATE:	JULY 31, 2017	
DRAWING STATUS:		

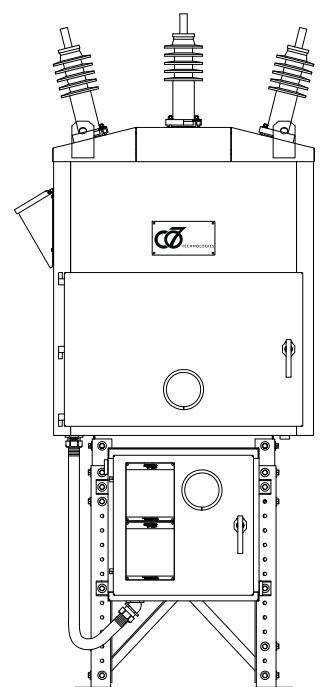


REV	DESCRIPTION	BY	DATE	-	----	--	--/--	-	----	--	--/--
				-	----	--	--/--	-	----	--	--/--

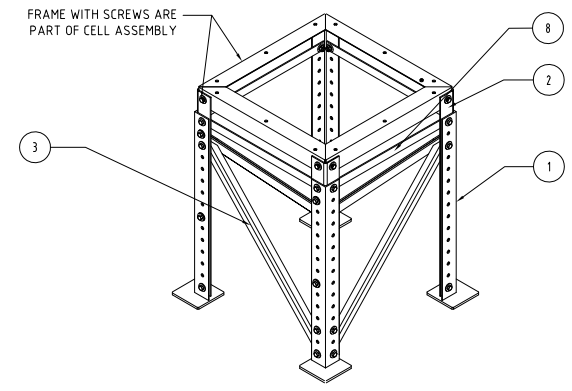


LEFT VIEW

NOTE 1



FRONT VIEW

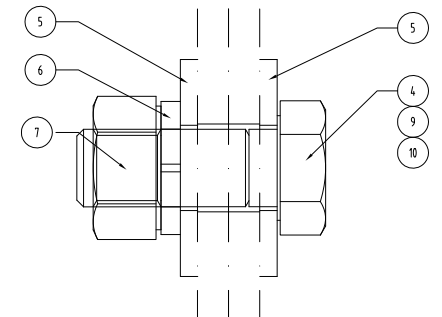


ASSEMBLY VIEW
SUPPORT WITHOUT CONTROL CABINET

FRAME WITH SCREWS ARE PART OF CELL ASSEMBLY

STRUCTURE

ITEM.	QTY UNIT.	ARTICLE No.	DESCRIPTION
10	4	ST511-022-531	HEX. HEAD CAP SCREW 5/8"-11NC x 2-1/4" LG
9	16	ST511-022-530	HEX. HEAD CAP SCREW 5/8"-11NC x 2" LG
8	4	MVCD00353-01	HORIZONTAL BRACE
7	28	ST516-122-011	WASHER HEX 5/8"-11 NC GALV.
6	28	ST517-205-011	LOCK WASHER E BLOCAGE Ø 5/8"
5	68	ST517-022-295	FLAT WASHER Ø 5/8" GALV.
4	8	ST511-022-529	HEX. HEAD CAP SCREW 5/8"-11NC x 1-3/4" LG
3	4	MVCD00323-01	DIAGONAL BRACE
2	4	MVCD00321-01	SUPPORT
1	4	MVCD00222-01	SUPPORT



DETAIL
SUPPORT BOLTS

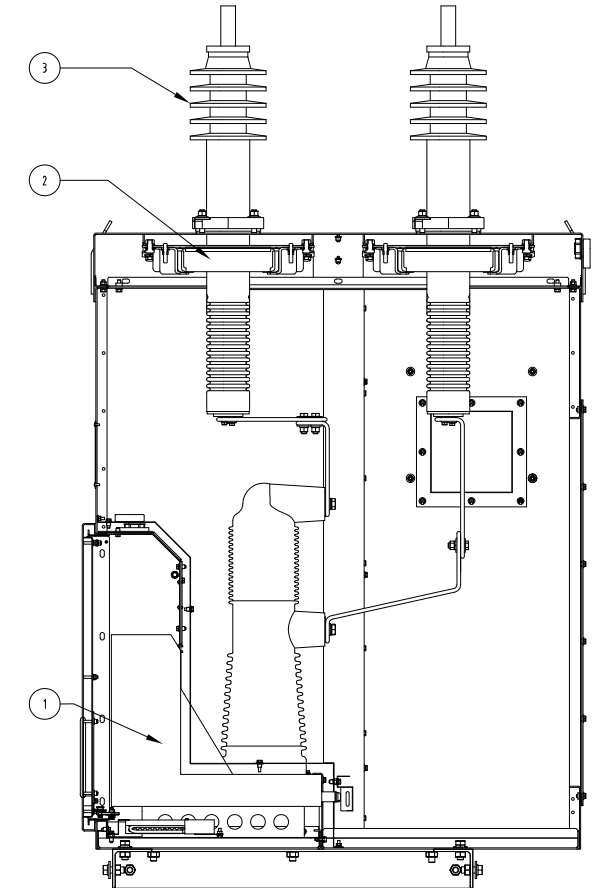
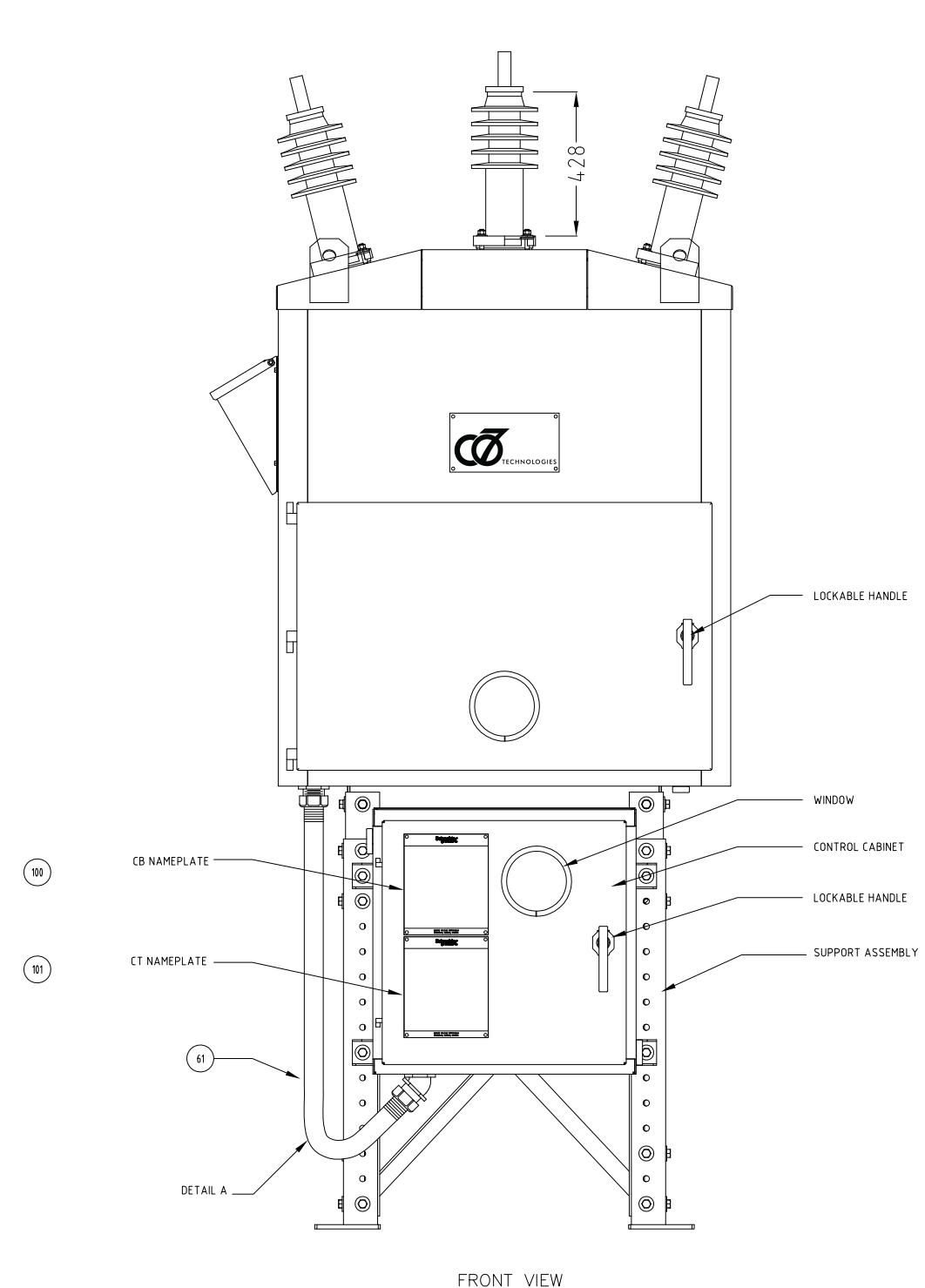
NOTE

- 1 WIRES AND CONDUCT BETWEEN OPERATING MECHANISM AND CONTROL CABINET ARE SUPPLIED BY SCHNEIDER AND INSTALLED BY CLIENT.
- 2 GREASE IS SUPPLIED BY CLIENT.

JOB NAME:	EQUIPMENT DESIGNATION:	OUTDOOR VACUUM CIRCUIT BREAKER
JOB LOCATION:	EQUIPMENT TYPE:	HVX-02 25KV, 1200A
DESIGNED BY:	DRAWING TYPE:	
APPROVED BY:		
DATE:	JULY 31, 2017	
DRAWING STATUS:	DWG#	PG 1 OF 1 REV A



REV	DESCRIPTION	BY	DATE	--	---	--	--/--	--	---	--	--/--
				--	---	--	--/--	--	---	--	--/--



SECTION "A-A"

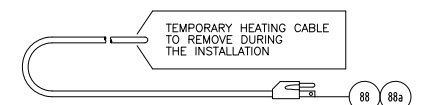
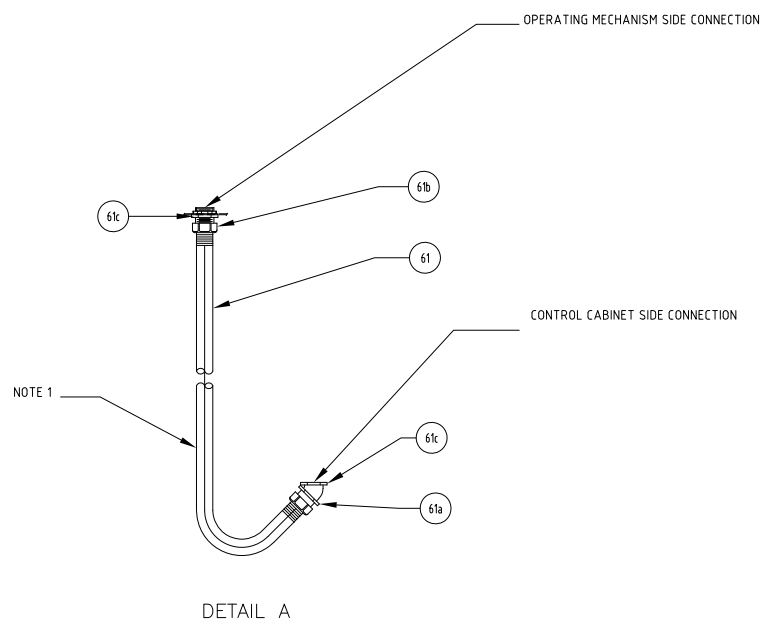


TABLE 1: ELECTRICAL BOM

ITEM	QTY UNIT.	ARTICLE No.	DESCRIPTION
1	1	HVX283125F275	VACUUM CIRCUIT BREAKER
2	6	CT765122MR02	INDOOR CURRENT TRANSFORMER TYPE BCT
3	6	AS1814001	27 KV PORCELAIN BUSHING
61	3 m	SE3003411	SEALED FLEXIBLE CONDUIT 2"
61a	1	SE3002611	LIQUIDTIGHT CONNECTOR, 45°, 2"
61b	1	SE3002511	STRAIGHT FLEXIBLE LIQUIDTIGHT CONNECTOR
61c	2	SE3002517	LIQUIDTIGHT SEALING GASKET 2"
88	1	ES07059	PLUG 2POLE, 3WIRES
88a	2 m	ES05362	CABLE 1x3C #12
100	1	MVC001025-36	CB NAMEPLATE
101	1	MVC001025-37	CURRENT TRANSFORMER NAMEPLATE

JOB NAME:	EQUIPMENT DESIGNATION:	OUTDOOR VACUUM CIRCUIT BREAKER
JOB LOCATION:	EQUIPMENT TYPE:	HVX-02 25KV, 1200A
DESIGNED BY:	DRAWING TYPE:	
APPROVED BY:		
DATE:	JULY 31, 2017	
DRAWING STATUS:		

